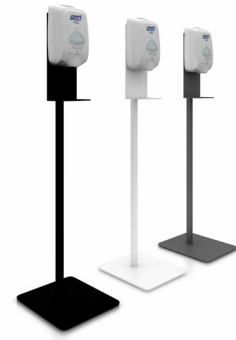




# Pure Pricebook

2022





## PURE COLLECTION

### Specifications:

- 16 Gauge Cold Rolled Steel
- Powder Coat Finish
- Ships assembled (1) per box
- Pure-1 & 3 accommodates any dispenser with adhesive attachment.
- Pure-2 will accommodate any bottle or wipes that fit in the 6x6" holder.

**\*\* Dispenser, Bottle, or Sanitizer NOT included\*\***




## PURE COLLECTION

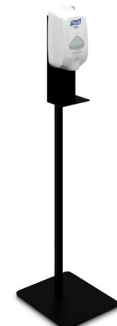
### Specifications:


- 16 Gauge Cold Rolled Steel
- Powder Coat Finish
- Ships assembled (1) per box
- Pure-1 & 3 accommodates any dispenser with adhesive attachment.
- Pure-2 will accommodate any bottle or wipes that fit in the 6x6" holder.

**\*\* Dispenser, Bottle, or Sanitizer NOT included\*\***

pure-1 Hand Sanitizer Dispenser Stand	Dimensions	Zone	
		Zone	Price
	Base: 11.75"x14" 48" H Mounting Plate: 14.5" x 6"	ZONE 1	\$437
		ZONE 2	\$466
		ZONE 3	\$496
		ZONE 4	\$525
		ZONE 5	\$583


Approximate Shipping Weight: 15 lbs



pure-2 Hand Sanitizer Bottle Stand	Dimensions	Zone	
		Zone	Price
	Base: 12"x12" 37.25" H Holder: 6"x6"	ZONE 1	\$437
		ZONE 2	\$466
		ZONE 3	\$496
		ZONE 4	\$525
		ZONE 5	\$583

Approximate Shipping Weight: 15 lbs



pure-3 Hand Sanitizer Counter Stand	Dimensions	Zone	
		Zone	Price
	Base: 6"x6" 15.5" H	ZONE 1	\$233
		ZONE 2	\$262
		ZONE 3	\$292
		ZONE 4	\$321
		ZONE 5	\$350

Approximate Shipping Weight: 10 lbs

## OPTIONS



Available in 3 standard colors :  
Black | Silver | White

Additional colors available upon request. Call customer service

## TERMS & CONDITIONS

### Terms & Conditions:

- Sanitizer Not Included.
- Minimum orders of (5). For lower qty call customer service.